

KONE KSP 978/979

TOUCHSCREEN DESTINATION OPERATING PANEL
FOR KONE POLARIS™ 900 DESTINATION CONTROL SYSTEM

When using the KONE Polaris Destination Control System, passengers select their destination using a destination operating panel (DOP) in the lobby and are then guided to a dedicated elevator car. The KSP 978/979 are touchscreen destination operating panels incorporating the latest capacitive touchscreen technology and a highly intuitive interface for an effortless elevator experience.

Configurations:

KSP 978 without keyboard (black or white glass faceplate)

KSP 979 with the keyboard (black or white glass faceplate)

L = landscape orientation

P = portrait orientation



KSP 978L

FEATURES

- Versatile DOP with large, highly responsive touchscreen with optional keypad
- Flat, surface mounted construction
- Portrait and landscape alternatives
- Black or white glass faceplate
- Modern design with durable, easy-to-clean materials; glass surface, chrome mirror or satin frame finishing
- User-friendly interface with clear, high-contrast display with two color themes to match the faceplate color
- Clear passenger guidance with directional indication
- Can be integrated with KONE or third-party access control systems

KSP 978/979 touchscreen destination operating panel

Key benefits

1 Highly visible, user-friendly interface

- Large, high-contrast glass screen viewable from all angles
- Highly-sensitive capacitive touchscreen
- High-contrast black and white graphics and rectangular shape blend seamlessly with a wide variety of architectural interiors

2 Innovative industrial design

- Modern design resulting from intensive usability research and analysis
- Durable glass and aluminum materials for a robust, high-quality finish

3 Flexible integration

- Can be integrated with KONE or third-party access control solutions for improved building security and greater user convenience
- Compatible with a wide variety of different access control interfaces; built-in card reader compartment included
- Customization available to meet your needs

4 Clear passenger guidance

- Directional arrows provide clear guidance on elevator location, even in complex lobby layouts
- Improves building accessibility by providing tailored guidance for passengers with special needs, including a dedicated accessibility button (KSP 979 only)

5 Energy efficiency

- Timer-based display turns off when not in use



KSP 978P





KSP 979L



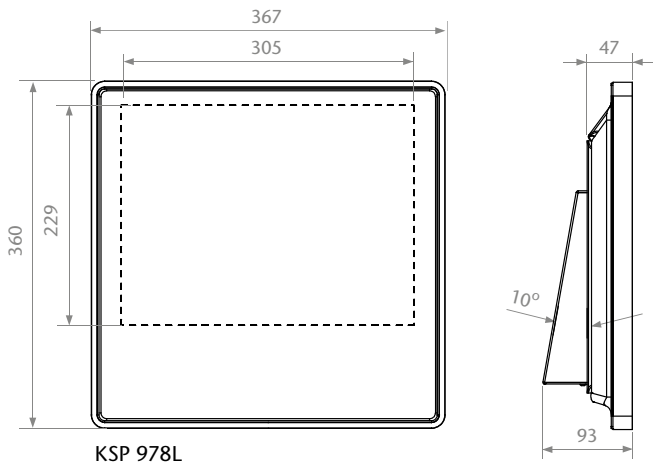
KSP 979P with white faceplate



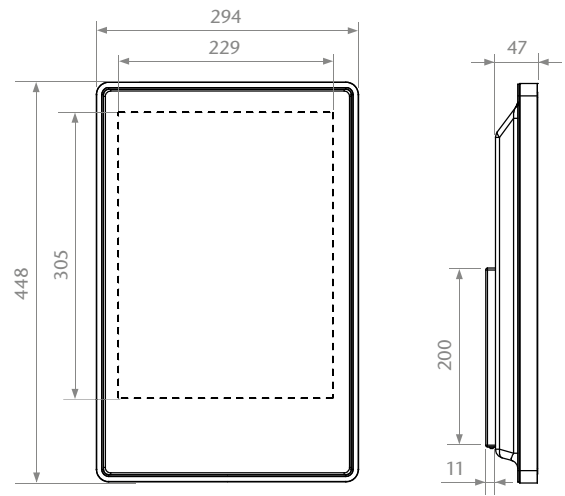
KSP 979P with black faceplate



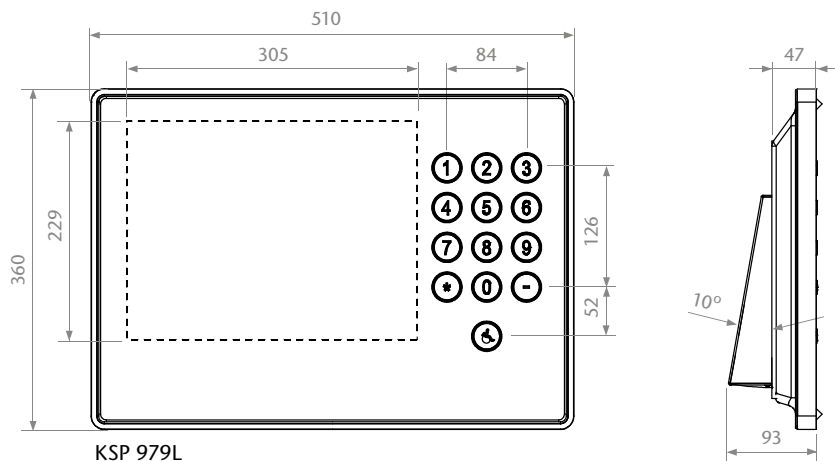
KSP 978/979 touchscreen dimensions



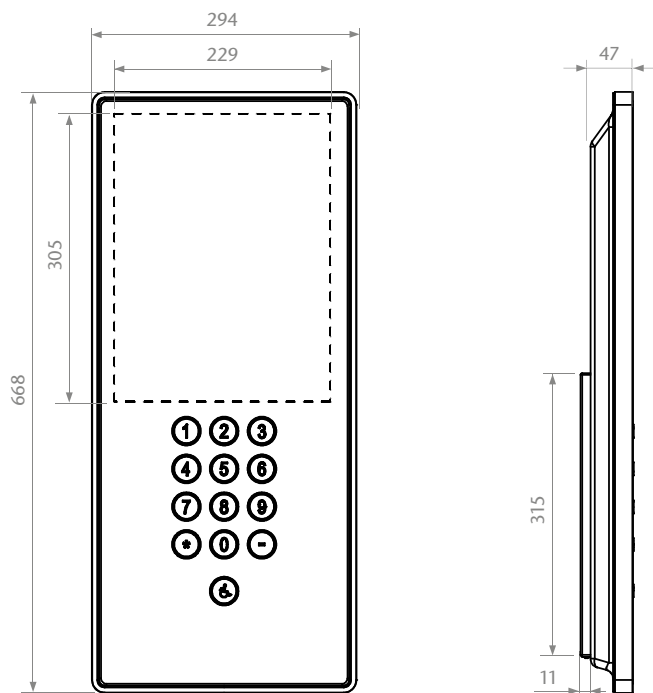
KSP 978L



KSP 978P



KSP 979L



KSP 979P

www.kone.com

This publication is for general informational purposes only and we reserve the right at any time to alter the product design and specifications. No statement this publication contains shall be construed as a warranty or condition, express or implied, as to any product, its fitness for any particular purpose, merchantability, quality or representation of the terms of any purchase agreement. Minor differences between printed and actual colors may exist. KONE Polaris™ is a registered trademark of KONE Corporation. Copyright © 2013 KONE Corporation.